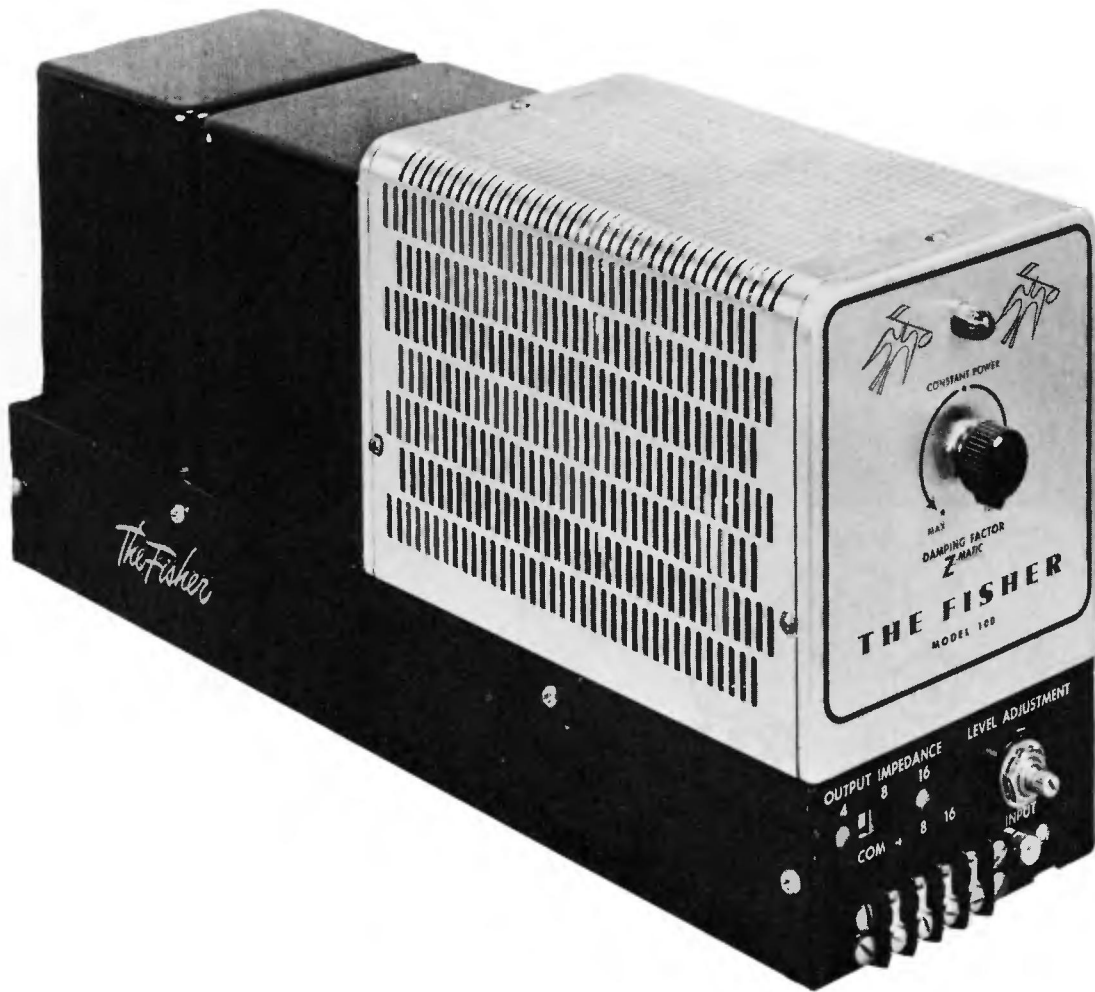




FISHER MODEL
100



FISHER MODEL
100

TRADE NAME	Fisher Model 100 (Serial #10001-19999 Inclusive)		
MANUFACTURER	Fisher Radio Corp., 21-21 44th Drive, Long Island City 1, N. Y.		
TYPE SET	AC Operated Audio Amplifier		
TUBES	Five		
POWER SUPPLY	105-125 Volts AC, 50-60 Cycles	RATING	124 Watts, 1.24 Amp. @117 Volts AC

HOWARD W. SAMS & CO., INC. Indianapolis 6, Indiana

The listing of any available replacement part herein does not constitute in any case a recommendation, warranty or guaranty by Howard W. Sams & Co., Inc., as to the quality and suitability of such replacement part. The numbers of these parts have been compiled from information furnished to Howard W. Sams & Co., Inc., by the manufacturers of H874

the particular type of replacement part listed. Reproduction or use, without express permission, of editorial or pictorial content, in any manner, is prohibited. No patent liability is assumed with respect to the use of the information contained herein. © 1959 Howard W. Sams & Co., Inc., Indianapolis 6, Indiana. Printed in U.S. of America

PARTS LIST AND DESCRIPTIONS TUBES (GENERAL ELECTRIC, PENNSYLVANIA)

ITEM No.	USE	TYPE	USE	TYPE
V1	A.F. Amp. -Phase Inv. Driver	12A7T7/ ECC81	V4	Output Rectifier
V2	Output	12AU7/ ECC82	V5	Rectifier
V3		6L6G/ EL37		

Note 1. Some versions may use 5881 in this application. V3 & V4 must be the same type.

ELECTROLYTIC CAPACITORS

ITEM No.	RATING		REPLACEMENT DATA			
	CAP.	VOLT.	FISHER PART No.	AEROVOX PART No.	CORNELL DUBILIER PART No.	SPRAGUE PART No.
C1A	40	500	C-522-114	A FH2-72	B0530	FP288
C1B	40	500				
C2A	40	450	C-1798	A FH2-57	B0450	FP238
C2B	40	450				
C3	50	50	C-508-115	PRS50V50	BR505	TC39

FIXED CAPACITORS

Capacity values given in the rating column are in mfd. for Paper Capacitors, and in mmfd. for Mica and Ceramic Capacitors.

ITEM No.	RATING		REPLACEMENT DATA				NOTES
	CAP.	VOLT.	FISHER PART No.	AEROVOX PART No.	CORNELL DUBILIER PART No.	SPRAGUE PART No.	
C4	.22	200	C89P224V2	P288N-22	CUB2P22	GEM-2022	2TMEP22
C5	300		CC21GF300K5	MD-301	L10T3	CNO-312	5TCC-TV2
C6	120		CC21GF120K5	D6-121	L10T12	GEM-4122	4TMS-S22
C7	.022	400	C68P223M4	P488N-022	CUB4S22	GEM-4122	4TMS-S22
C8	.022	400	C68P223M4	P488N-022	DD-203	GEM-4147	4TMS-S47
C9	.047	400	C68P473M4	P488N-047	CUB4S47	GEM-4147	4TMS-S47
C10	.047	400	C68P473M4	P488N-047	DF-503	GEM-4147	4TMS-S47
C11	500			BPD-0005	L10T5	B-350	5GA-T5
C12	.01	600	C-2747	P888N-01	D6-103	GEM-611	6TM-S1

Note 1. Not used in some versions.

CONTROLS

ITEM No.	RATING		REPLACEMENT DATA				INSTALLATION NOTES
	RESIST. ANCE.	WATTS	FISHER PART No.	CENTRALAB PART No.	CLAROSTAT PART No.	IRC PART No.	
R1A	500K	1/2	R-2815-9	AB-59	A47-500K-S	Q11-133	U50
R1B	50K	1/2	R-50000-5	AB-31	AK-1	RQ	Not Req.
R2A	50K	1/2	R-50000-5	AB-31	A47-50K-S	Q11-123	U35
R3A	1000Ω	1/2	R-5571-28	AB-5	F5-1/4	RQ	Not Req.
R3B	1000Ω	1/2		AK-8	A47-1000-S		U4
R3C	Switch			**KB-3orKR-3	RS-3/16		Not Req.
					SWE-21 †		US-28 †

* Use KR with CRL "Red Label" controls and KB with "Blue Label" controls.

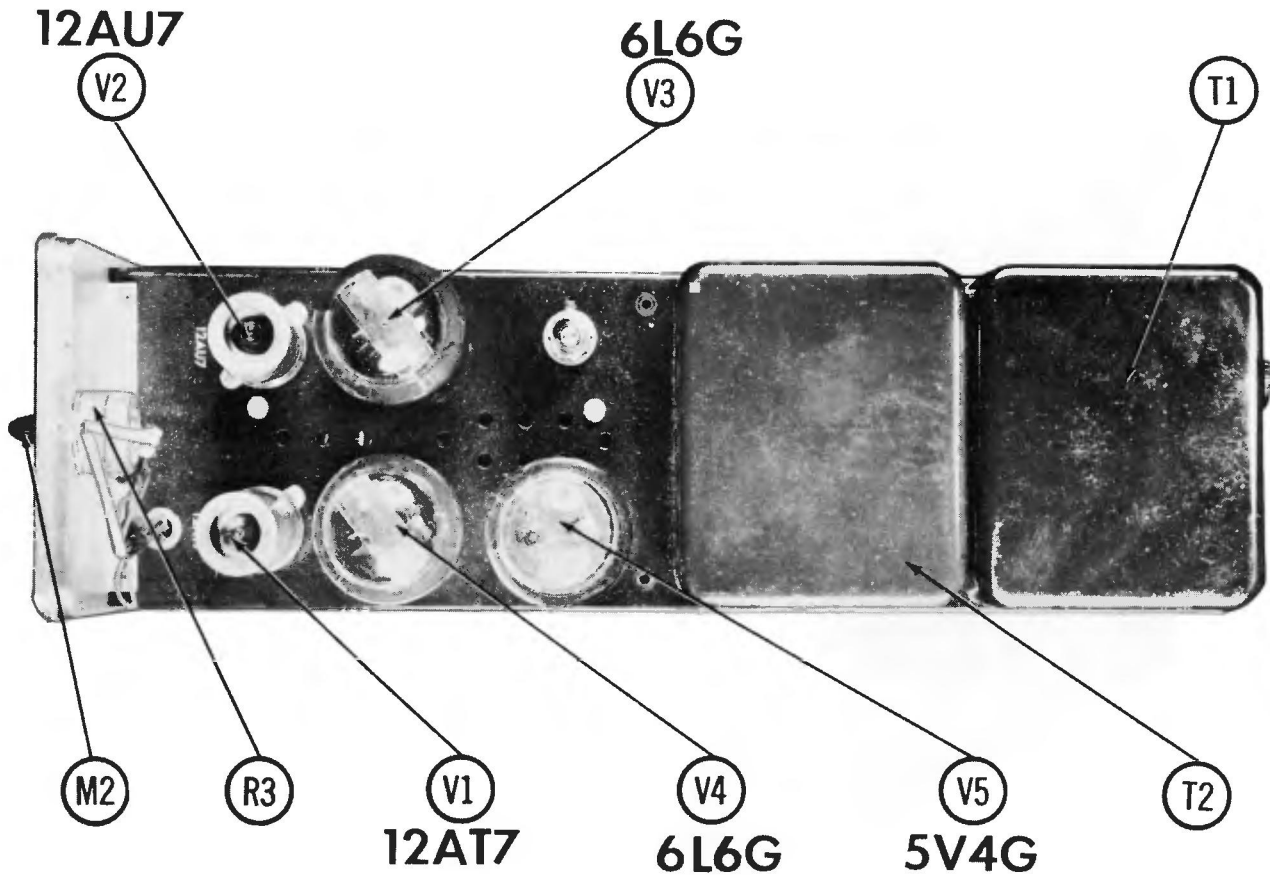
† Use Terminals which are closed (switch on) in maximum CCW position.

RESISTORS

All wattages 1/2 watt, or less, unless otherwise listed.

ITEM No.	RATING		REPLACEMENT DATA				NOTES
	OHMS	WATT	FISHER PART No.	CENTRALAB PART No.	CLAROSTAT PART No.	IRC PART No.	
R4	220K		RC20BF24K				
R5	330K		RC20BF33K				
R6	1500Ω		RC20BF152K				
R7	4700Ω		RC20BF47K				
R8	100K		RC20BF104K				
R9	82K		RC20BF82K				
R10	470K		RC20BF474K				
R11	150K		RC20BF154K				
R12	2700Ω		RC20BF27K				
R13	470K		RC20BF474K				
R14	150K		RC20BF154K				
R15	470K		RC20BF474K				

CHASSIS—TOP VIEW



12AU7

V2

6L6G

V3

T1

M2

R3

V1

12A7

V4

6L6G

V5

5V4G

T2

PARTS LIST AND DESCRIPTIONS (Continued)

TRANSFORMER (POWER)

ITEM No.	RATING		REPLACEMENT DATA					Triad PART No.
	PRI.	SEC. 2	FISHER PART No.	REPLACEMENT DATA			Thordarson PART No.	
				Merit PART No.	Ram PART No.	Slancor PART No.		
T1	117V @ 1.24A	780VCT @.150A	T-849-114					
	SEC. 3 6.3VCT @.3A	SEC. 4 5V @ 2A						
		SEC. 5						

TRANSFORMER (AUDIO OUTPUT)

ITEM No.	IMPEDANCE	REPLACEMENT DATA					NOTES	
		PRI. 1. SEC.	FISHER PART No.	REPLACEMENT DATA				Triad PART No.
				Merit PART No.	Ram PART No.	Thordarson PART No.		
T2	5000Ω 16Ω Tap CT @ 80 4Ω PRI 2 300Ω CT	T-557-145						

FUSES

ITEM No.	TYPE	RATING	REPLACEMENT DATA				
			FISHER PART No.	LITTELFUSE PART No.	BUSS PART No.	NOTES	
M1	3AG	3A 250V	F-3000	X-1036	312003. (3AG 3A 250V)	342001 AGC3	HOLDER HKP

MISCELLANEOUS

ITEM No.	PART NAME	FISHER PART No.	NOTES
M2 M3	Lamp Switch	1-557-144 S-557-138	#NE2 Impedance Matching (3 Position, Slide Type).

CABINETS & CABINET PARTS

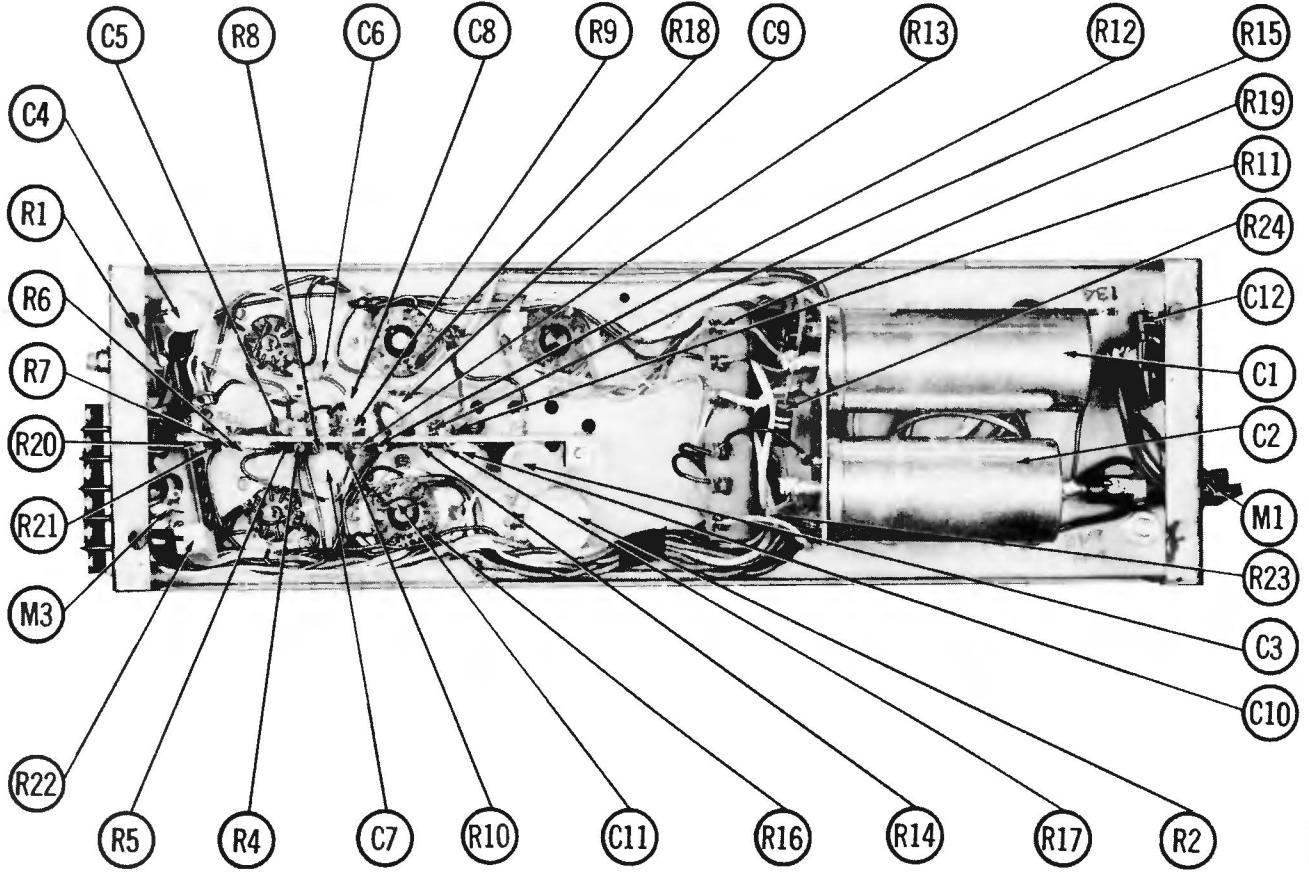
(When Ordering Cabinets & Cabinet Parts, Specify Model, Chassis & Color)

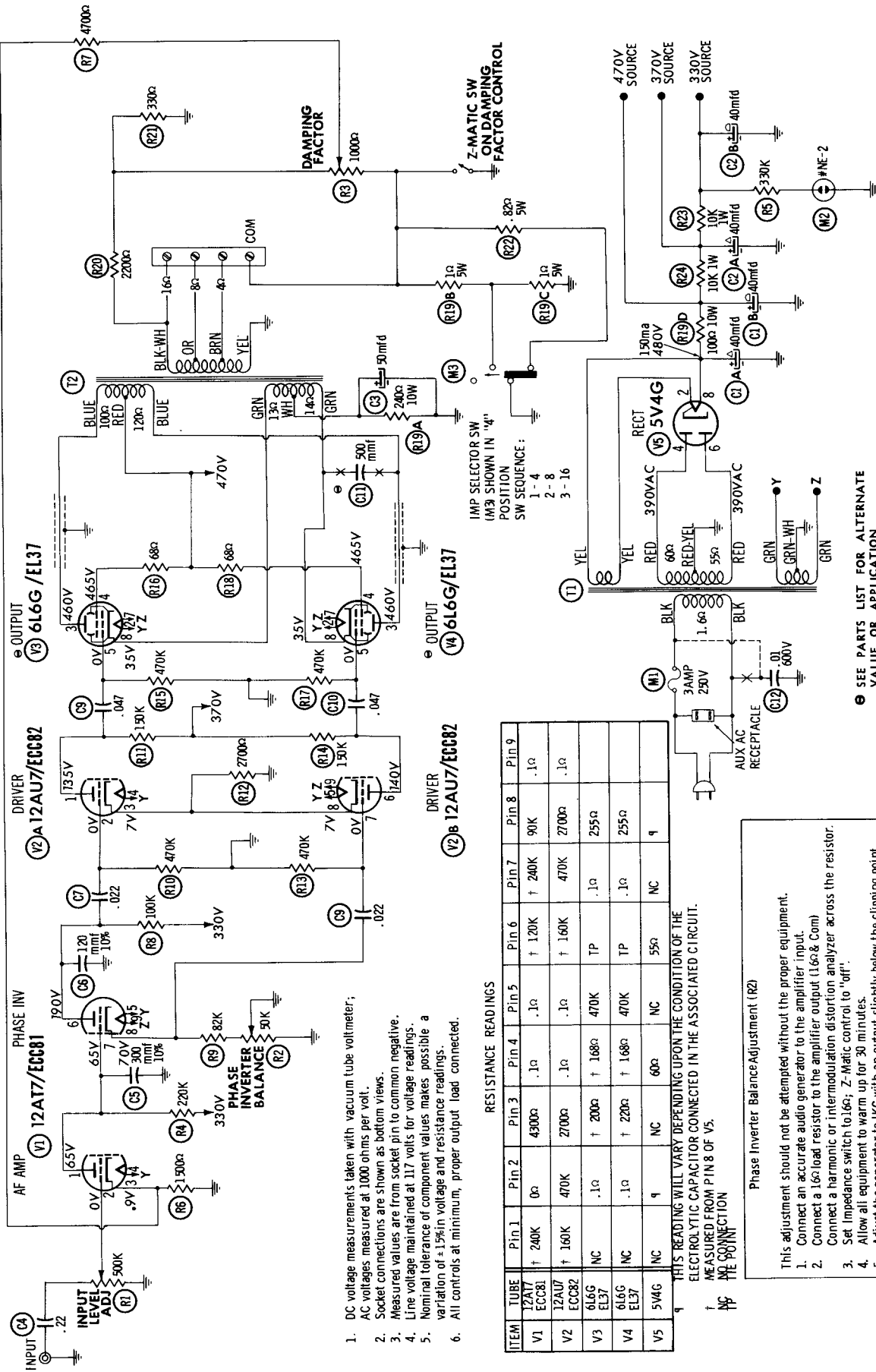
NAME	PART NO.	DESCRIPTION
Knob Cover Control Panel	E-557-127 A-557-107 AS-849-103	Z-Matic Control Perforated, Brass

WIRING DATA

General-use Unshielded Hook-up Wire	Use BELDEN No. 8550 (Solid) Available in Ten Colors
Power Cord	8524 (Stranded) Available in Ten Colors 1765-B (6 Ft. Length) 1725-K (7½ Ft. Length)

CHASSIS—BOTTOM VIEW





1. DC voltage measurements taken with vacuum tube voltmeter;
2. AC voltages measured at 1000 ohms per volt.
3. Measured values are from socket pin to common negative.
4. Line voltage maintained at 117 volts for voltage readings.
5. Nominal tolerance of component values makes possible a variation of $\pm 15\%$ in voltage and resistance readings.
6. All controls at minimum, proper output load connected.

RESISTANCE READINGS

ITEM	TUBE	Pin 1	Pin 2	Pin 3	Pin 4	Pin 5	Pin 6	Pin 7	Pin 8	Pin 9
V1	12A77 ECC81	240K	0 Ω	4300 Ω	.1 Ω	.1 Ω	120K	240K	90K	.1 Ω
V2	12AU7 ECC82	160K	470K	2700 Ω	.1 Ω	.1 Ω	160K	470K	2700 Ω	.1 Ω
V3	6L6G EL37	NC	.1 Ω	200 Ω	168 Ω	470K	TP	.1 Ω	255 Ω	
V4	6L6G EL37	NC	.1 Ω	220 Ω	168 Ω	470K	TP	.1 Ω	255 Ω	
V5	5V4G	NC	9	NC	60 Ω	NC	55 Ω	NC	9	

THIS READING WILL VARY DEPENDING UPON THE CONDITION OF THE ELECTROLYTIC CAPACITOR CONNECTED IN THE ASSOCIATED CIRCUIT. MEASURED FROM PIN 8 OF V5.

PHASE INVERTER BALANCE ADJUSTMENT (R2)

This adjustment should not be attempted without the proper equipment.

1. Connect an accurate audio generator to the amplifier input.
2. Connect a 16 Ω load resistor to the amplifier output (1L6 Ω & Com)
3. Connect a harmonic or intermodulation distortion analyzer across the resistor.
4. Allow all equipment to warm up for 30 minutes.
5. Adjust the generator to 1KC with an output slightly below the clipping point (approx. 1db) of the amplifier. This output must be held constant.
6. Adjust R2 for minimum distortion as indicated on the analyzer.

SEE PARTS LIST FOR ALTERNATE VALUE OR APPLICATION
DC COIL RESISTANCE VALUES UNDER ONE OHM NOT SHOWN ON SCHEMATIC DIAGRAM